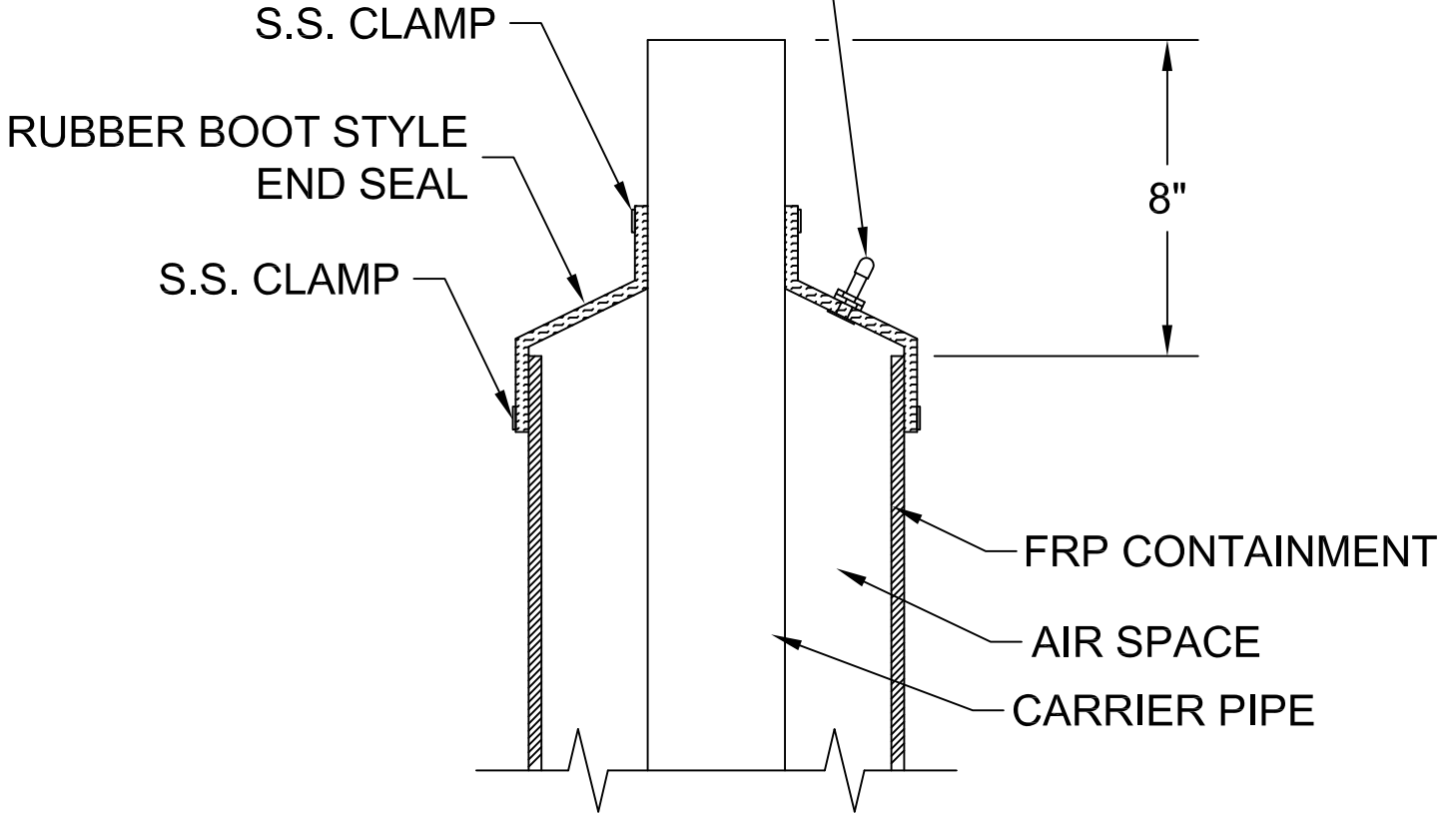


VENT & AIR TEST
POINT AS REQUIRED
ON ONE END OF EACH RUN



FRP CONTAINMENT END SEAL

N.T.S.

Rovanco®

20535 S.E. FRONTAGE RD. JOLIET, IL. 60431 (815) 741-6700

NAME: FRP CONTAINMENT END SEAL DETAIL

APPR BY:
DK

DRAWN BY:
AD

DATE/REV:
10/14/2009

DWG NO:
CT-SxF-ES-03