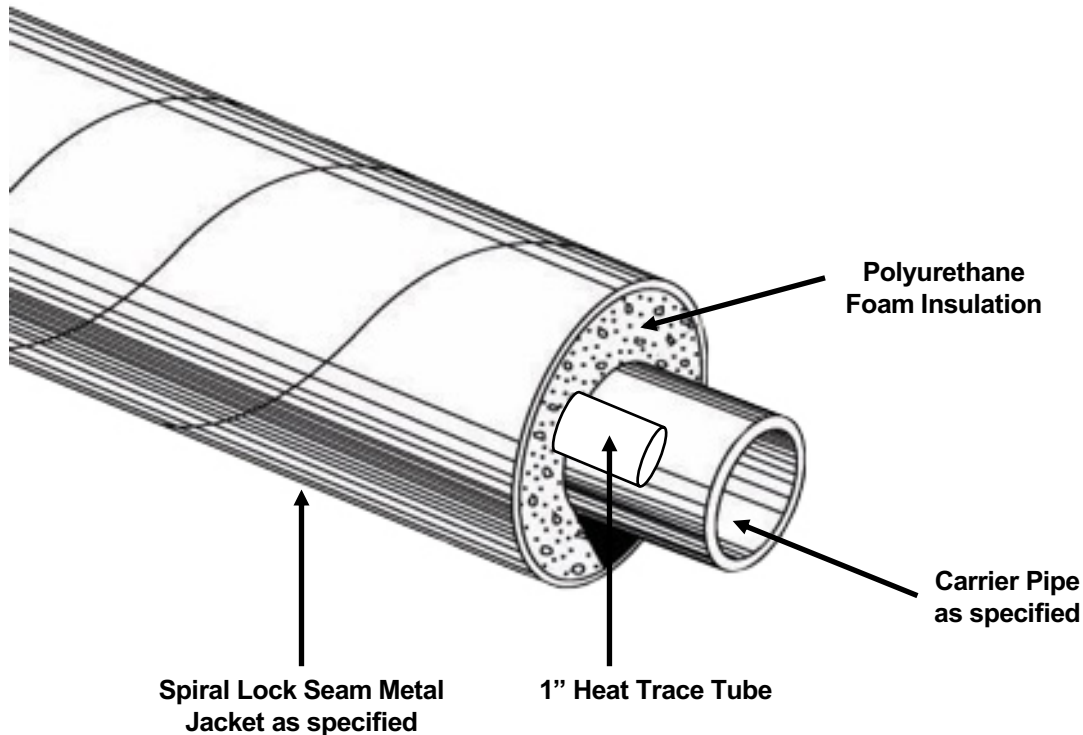


Rovanco Above Ground Heat Traced Piping

For Above Ground Applications



Rovanco's Above Ground Heat Traced Piping is designed for piping above ground suitable for indoor and outdoor applications. Non-Flammable polyisocyanurate foam insulation and durable metal jacket supplied 20' or 40' random lengths, means an economical, high-quality system.

Rovanco's Above Ground Heat Traced Piping is provided with spiral lock seam on a metal jacket of galvanized steel. These jackets can be supported from the outside with maximum supports spans. Fittings are field insulated with material supplied by Rovanco.

The Piping comes complete with metal covers, insulation, fittings and banding to make the installation completely watertight for above grade applications.

To find out more about Rovanco's Above Ground Heat Traced Piping System, you can visit our factory, phone us (815) 741-6700, fax us (815) 741-4229, visit our website at www.rovanco.com or e-mail us at marketing@rovanco.com.

SPECIFICATION FOR Above Ground Heat Traced PIPING SYSTEM

Carrier Pipe Types:

HDPE: The pipe shall be made of polyethylene resin compound with a minimum cell classification by PE445474C for PE4710 materials per ASTM P3350 and D2837. Shall contain 2% dispersed carbon black.

Piping and fittings are available in 10 different pressure classes as designated by dimensional ratios (DR) from 32.5 at 50 psi through 6.3 at 300 psi for water service at 73°. Assembly is by thermal butt fusion for a fast, economical; and long-term performance installation.

PVC: Sch 40/80 solvent weld. Other classes and schedule of PVC pipe are available.

Type (K) or (L): Hard Drawn Copper Tubing conforming to ASTM M-88.

Steel: A-53 Grade B ERW in Schedule (40) or (80). Pipe 10" and above will be standard weight .375 wall or extra heavy .500 wall.

Fiberglass: Green Thread HP 16 bar filament wound fiberglass reinforced epoxy, bell and spigot, designed to withstand 230°F. ID of pipe shall contain a resin-rich liner. All 1" through 42 pipe to be in 40' random lengths. Pipe to be in conformance with ASTM D-2996.

Red Thread HP 16 pipe filament would fiberglass reinforced epoxy, bell and spigot, designed to withstand 210°F. ID of pipe to be 20'-40' random lengths. Pipe to be in conformance with ASTM D-2996.

Other carrier pipe types are available upon request. Factory fabricated and pre-engineered to actual field dimensions.

Jacket Material:

Shall be spiral lock seam aluminum, galvanized steel or stainless steel in accordance with ASTM A366 and ASTM A256 G90 or as specified. See Table 1 below for metal jacket thickness.

Table 1:

Jacket Size In Inches	Aluminum Jacket Spiral Aluminum with impact and Chemical resistance equivalent to H-14 Temper T-3003 in accordance with ASTM-B 313 specifications	Galvanized Steel Jacket Spiral Seam Galvanized Steel in accordance with ASTM A-366 ASTM A-26 G90.	Stainless Steel Jacket Spiral Seam Stainless Steel in accordance with ASTM A-366 ASTM A-26 G90.
4	22 Gauge	26 Gauge	26 Gauge
6	22 Gauge	26 Gauge	26 Gauge
8	22 Gauge	26 Gauge	26 Gauge
10	22 Gauge	26 Gauge	26 Gauge
12	22 Gauge	26 Gauge	26 Gauge
14	18 Gauge	22 Gauge	22 Gauge
16	18 Gauge	22 Gauge	22 Gauge
18	18 Gauge	22 Gauge	22 Gauge
20 & larger	18 Gauge	22 Gauge	22 Gauge

Polyurethane Insulation:

Insulation shall be a polyurethane foam injected with one shot into the annular space between carrier pipe and jacket. Insulation shall be rigid, minimum 90% closed cell polyurethane with a minimum 2.0 lbs per foot³ density, compressive strength of 30 psi @ 75°F and a thermal conductivity K factor no higher than 0.180 @ 75°F per ASTM C-518. Maximum operating temperature of urethane foam shall not exceed 250°F.

Insulated Fittings and Joints:

All straight joints and fittings joints shall be insulated using material supplied by system manufacturer.

Jacket Fitting & Joint Covers:

Provide metal covers designed to fit snugly on the jacketing to provide a watertight closure. All covers shall be banded in place with 3/8" wide stainless steel straps and will be the same thickness as the jacketing.

Approved Vendors:

Piping Systems by Rovanco, Joliet, Illinois. All other manufacturers wishing to bid on this project must be ISO 9001 Certified and provide the engineer with certified test data from either foam manufacturer or an independent testing agency that the product is capable of withstanding the service temperature continuously. The manufacturer shall obtain written approval from the engineer 10 days prior to bid date.

cc #10162025

Copyright 2025 – Rovanco’s products are covered by various U.S. patents. Rovanco & Insul-8 are federally registered trademarks.

Contact Rovanco® for the name of your local Representative

20535 S.E. Frontage Road • Joliet, Illinois 60431 • (815) 741-6700

Website: www.rovanco.com • E-mail: marketing@rovanco.com

This is a generic product datasheet and is not intended for submittal use.